



Transparent



Smoked



Opal





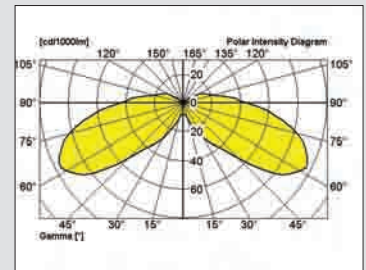
Delta. Different sensations.

The Delta series is a public lighting solution, designed to offer the light that that best adapts to each space. Its entire range of diffusers, Transparent, Smoked and Opal, offers the possibility of having three different ways of perceiving light. Three different ways to experience our public spaces.

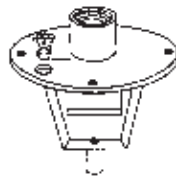


F-24250-M

MV 250W



Distancia m

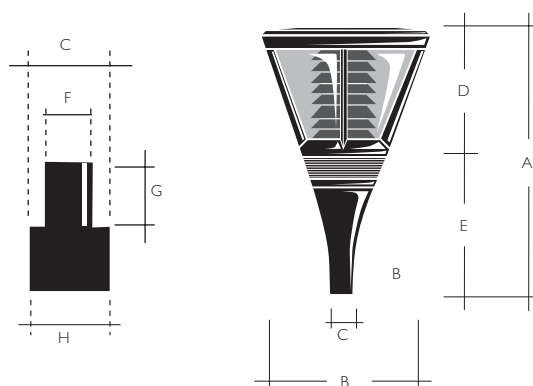


Technical Data

- Protection degree IP 54 IK 10.
- Isolation degree Class I Class II.
- Base, intermediate body and top part made from aluminium alloy.
- Diffusers made from polycarbonate UV rays stabilised, smooth opal without reflector, smooth transparent with reflector or smoked transparent with reflector.
- Control gear plate made from galvanised steel sheet.
Fixed to the same on its upper part we supply:
- Ceramic lampholder.
- Connection terminal to connect to the mains.
- Earth connection
- Fixation clamp for feeding cable.
- And on its lower part:
- Ballast and capacitor, fully wired.
- Top cover made from fully protected steel sheet.
- Finishing in high corrosion resistant polyester resin.
- Available colours:
White RAL 9003, Black RAL 9011, Green RAL 6012 and Forge-Grey.
Please specify desired colour when ordering.
- Outside stainless steel screws.
- Coupling to columns with Ø60x100mm. length spigot.
- Reflectors: Louvers made from aluminium sheet painted in white colour.
- Supplied in three cartons:
- One with the top set
- One with the lower set
- And the third with the control gear.

Suggestions of use

Outdoor decorative lighting, streets, parks and squares.



	A	B	C	D	E	F	G	H
Delta	912	Ø589	Ø78	495	477	Ø60	100	Ø80

Delta
Urban decorative lighting

Delta
Transparent



Lamp	W	Lampholder	Equipment	Class I Code	Class II Code	Weight (Kg)
M.H.	70	E-27	YES	F-24070-H	F-24570-H	19,50
M.H.	150	E-27	YES	F-24150-H	F-24515-H	19,70
M.V.	125	E-27	YES	F-24125-M	F-24512-M	18,60
M.V.	125	E-27	Power Level*	F-24125-2M	F-24512-2M	18,60
M.V.	250	E-40	YES	F-24250-M	F-24525-M	19,5
M.V.	250	E-40	Power Level*	F-24250-2M	F-24525-2M	19,7
H.P.S	70	E-27	YES	F-24070-S	F-24570-S	18,60
H.P.S	70	E-27	Power Level*	F-24070-2S	F-24570-2S	18,60
H.P.S	100	E-40	YES	F-24100-S	F-24510-S	19,50
H.P.S	100	E-40	Power Level*	F-24100-2S	F-24510-2S	19,70
H.P.S-M.H.	150	E-40	YES	F-24150-S	F-24515-S	19,70
H.P.S	150	E-40	Power Level*	F-24150-2S	F-24515-2S	19,70
M.V.-H.P.S-M.H.	Máx 150	E-27	Gear tray only	F-24027		16,20
M.V.-H.P.S-M.H.	Máx 250	E-40	Gear tray only	F-24040		16,20

Delta
Smoked



Lamp	W	Lampholder	Equipment	Class I Code	Class II Code	Weight (Kg)
M.H.	70	E-27	YES	F-24370-H	F-24670-H	19,50
M.H.	150	E-27	YES	F-24315-H	F-24615-H	19,70
M.V.	125	E-27	YES	F-24312-M	F-24612-M	18,60
M.V.	125	E-27	Power Level*	F-24312-2M	F-24612-2M	18,60
M.V.	250	E-40	YES	F-24325-M	F-24625-M	19,5
M.V.	250	E-40	Power Level*	F-24325-2M	F-24625-2M	19,7
H.P.S	70	E-27	YES	F-24370-S	F-24670-S	18,60
H.P.S	70	E-27	Power Level*	F-24370-2S	F-24670-2S	18,60
H.P.S	100	E-40	YES	F-24310-S	F-24610-S	19,50
H.P.S	100	E-40	Power Level*	F-24310-2S	F-24610-2S	19,70
H.P.S-M.H.	150	E-40	YES	F-24315-S	F-24615-S	19,70
H.P.S	150	E-40	Power Level*	F-24315-2S	F-24615-2S	19,70
M.V.-H.P.S-M.H.	Máx 150	E-27	Gear tray only	F-24327		16,20
M.V.-H.P.S-M.H.	Máx 250	E-40	Gear tray only	F-24340		16,20

Delta
Opal



Lamp (Kg)	W	Lampholder	Equipment	Class I Code	Class II Code	Weight
M.H.	70	E-27	YES	F-24470-H	F-24770-H	17,40
M.H.	150	E-27	YES	F-24415-H	F-24715-H	18,50
M.V.	125	E-27	YES	F-24412-M	F-24712-M	17,40
M.V.	125	E-27	Power Level*	F-24412-2M	F-24712-2M	17,40
M.V.	250	E-40	YES	F-24425-M	F-24725-M	18,3
M.V.	250	E-40	Power Level*	F-24425-2M	F-24725-2M	18,5
H.P.S	70	E-27	YES	F-24470-S	F-24770-S	17,40
H.P.S	70	E-27	Power Level*	F-24470-2S	F-24770-2S	17,40
H.P.S	100	E-40	YES	F-24410-S	F-24710-S	18,30
H.P.S	100	E-40	Power Level*	F-24410-2S	F-24710-2S	18,50
H.P.S-M.H.	150	E-40	YES	F-24415-S	F-24715-S	18,50
H.P.S	150	E-40	Power Level*	F-24415-2S	F-24715-2S	18,50
M.V.-H.P.S-M.H.	Máx 150	E-27	Gear tray only	F-24427		15,00
M.V.-H.P.S-M.H.	Máx 250	E-40	Gear tray only	F-24440		15,00

* Double power level: The maximum power is reached with the control line connected to the mains.